

IMHS "TAKE A SEAT" FUNDRAISER

SUPERINTENDENT NEWS...

Dear Alumni and Friends:

We have crossed our "T's" and dotted our "I's" and are ready to unveil our "Take A Seat" fundraising campaign for our auditorium. We feel confident our alumni and friends will respond and hopefully make this dream become a reality. We need to sell close to 700 seats for this project. A big task but we are definitely up for the challenge. The name plate with your dedication will be very visible on the arm of the chair. Our website, www.imschools.org has an excellent step by step procedure to order on-line or you can use the form on the back of this newsletter to order one or more through the mail, or just call us at 906-779-2600.

Thank you again for all you continue to do for IMHS. "Take A Seat, Mountaineers!" and then "Take A Bow"---You Deserve It!!!

Sincerely,
Denny Chartier
Superintendent



SPECIAL AUDITORIUM ISSUE

In this issue:

Auditorium Photos	2
Mini-Trivia	3
IMHS Generations	4-5
Auditorium Seat Information and Order Blank	7-8

SPRING 2008 EDITION

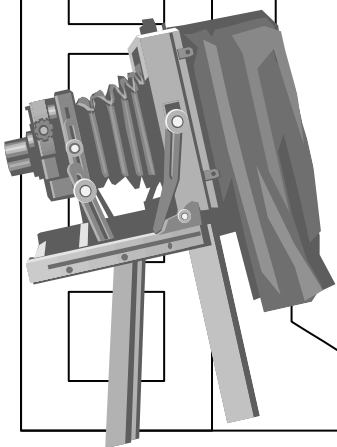
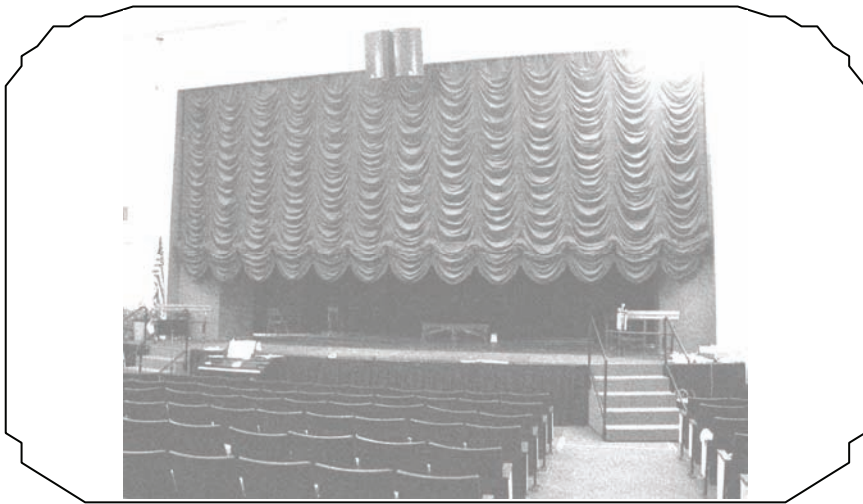
IMHS

* Congratulations Larry Johnson (class of 1994) on winning our "Generations Newsletter Contest" with the earliest postmark!

SPECIAL INVITATION

Iron Mountain High School is inviting you to honor your family, memorialize a loved one, friend or teacher, pay tribute to an individual or commemorate a special date by having a personally engraved brass nameplate affixed to the arm of an auditorium seat in our "Take A Seat" Fundraiser. There are 694 seats available for purchase with four levels of sponsorship. Engrave your support and watch us grow!





MINI-TRIVIA

1. HOW MANY SEATS ARE AVAILABLE IN THE “TAKE A SEAT FUND-RAISER” ?

2. WHO WON THE “GENERATIONS” CONTEST FROM THE LAST NEWSLETTER?

3. WHAT YEAR DID THE OLDEST MEMBER OF THE GENERATIONS FAMILY WITH 4 GENERATIONS GRADUATE?

MAIL YOUR ENTRY WITH YOUR NAME AND RETURN ADDRESS TO:
ALUMNI AND FRIENDS

PO BOX 280, IRON MOUNTAIN, MI 49801

EARLIEST CORRECT ENTRY WINS A MOUNTAINEER PRIZE!!!


GENERATIONS OF MOUNTAINEERS

Iron Mountain High School has an enjoyed a rich heritage of successful graduates. Year after year, our students have continued to enroll their children and those children have continued to enroll theirs. This speaks volumes about the quality of education that these graduates feel that they have received. While looking back, we were pleasantly surprised to find how many families continue to do this. As a tribute to them, we have included a family listing on the next two pages that includes names, graduation years and which generation a graduate falls into. Some families go back four generations! We hope to continue this listing in future editions for the many families that we have yet to discover. You have truly made IMHS “The Place to Succeed”.

IMHS FAMILY GENERATION GRADUATES

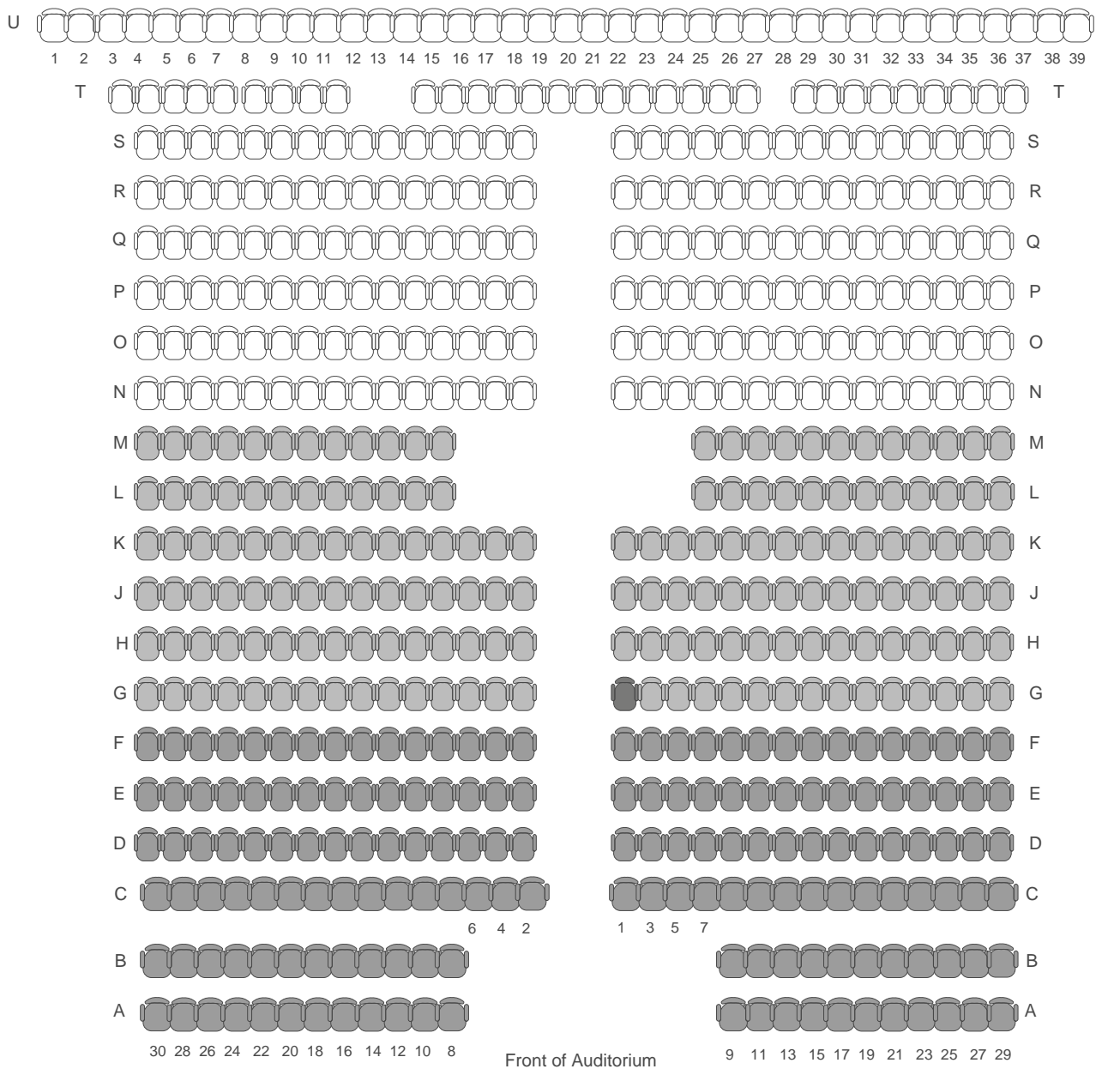
<u>NAME</u>	<u>CLASS OF:</u>		<u>NAME</u>	<u>CLASS OF:</u>
Emmett Johnson (1)	1931	◆	Tyler Swanson(3)	2004
Peter Johnson (2)	1965		Mackenzie Swanson(3)	2007
Larry Johnson(3)	1994			
Jack Jacobs(1)	1947	◇	James Pericolosi(1)	1940
Donald Jacobs(1)	1949		Russ Pericolosi(2)	1970
Paul Jacobs(1)	1951		Denise (Jahola) Pericolosi(2)	1976
John Jacobs(2)	1974		Peter Pericolosi(2)	1974
Paul Jacobs Jr.(2)	1974	◆	Tom Pericolosi(2)	1979
Fred Jacobs(2)	1976		Missy (Pericolosi) Hewitt(3)	1998
Cheryl (Jacobs) Plut(2)	1978		Ryan Pericolosi(3)	2001
Peter Jacobs(2)	1979			
Tom Berutti(2)	1981	◇	Robert Doney(1)	1941
Denise (Berutti) Jacobs(2)	1984		Debra (Doney) Chartier(2)	1970
Perry Jacobs(2)	1985		Michael Doney(2)	1973
Susan (Jacobs) Berutti(2)	1987		Robert Doney Jr. (2)	1981
Josh Jacobs(3)	1999	◆	Matthew Doney(3)	1995
Jessica Jacobs(3)	2000		Mark Doney(3)	1998
Dominic Jacobs(3)	2003		Michael Doney(3)	2004
Gina Jacobs(3)	2007			
Mildred (Shea) LaJeunesse(1)	1932	◇	Frank McKinnon(1)	1942
Joseph LaJeunesse(1)	1933		Candy (McKinnon) Wolf(2)	1970
Mary (LaJeunesse) Roassato(2)	1956		Mark McKinnon(2)	1971
Joseph LaJeunesse(2)	1958		Brad McKinnon(3)	1996
Mildred LaJeunesse(2)	1961	◆	Tyler McKinnon(3)	2003
Anne (Rosatto) Leifker(3)	1979			
John Rossato(3)	1980		Dorothy Peterson(1)	1947
June Rossato(3)	1982		Cheryl (Peterson) Swan(2)	1970
Peter Rossato(3)	1985	◇	Shannon (Swan) Hanson(3)	1990
Jason Rossato(4)	1999			
Matthew Rosatto(4)	2001		Marjorie (Rigoni) Menghini(1)	1938
			Cheryl Menghini(2)	1969
			Marc Wender(3)	1987
			Christie (Wender) Lofholm(3)	1993
			Jason Wender(3)	1995
Orville Swanson(1)	1939	◆		
Merry (Swanson) Hall(2)	1969		Bonnie J. Toutloff(1)	1948
Tom Swanson(2)	1974		Randy Evosovich(2)	1974
Tawn (Goodchild) Swanson(2)	1975			

GRADUATES CONTINUED

<u>NAME</u>	<u>CLASS OF:</u>		<u>NAME</u>	<u>CLASS OF:</u>
Kelly (Evosevich) Poupore(3)	1997		Gordon Laydon(1)	1942
Scott Evosevich(3)	2001		Delores (Rubbo) Laydon(1)	1945
Marie (Arnold) Tabaka(1)	1941		Jim Laydon(2)	1975
Mary (Tabaka) Couper(2)	1967		Ashlie Laydon(3)	1999
Jane (Tabaka) Santini(2)	1972		Adam Laydon(3)	2003
Dennis Santini(2)	1972		Ward Alquist(1)	1936
Scott Couper(3)	1994		LaVaughn (Markell) Alquist(1)	1943
Rebecca Couper(3)	1999		Rand Alquist(2)	1967
Angela (Santini) Hall(3)	1997		Brian Alquist(2)	1970
Kristina Santini(3)	1999		Allison Alquist(2)	1976
Louis Santini(3)	2002		Julie (Channing) Alquist(2)	1977
Jeannette(Tomassoni) Patterson(1)	1943		Elisabeth Alquist(3)	2002
Ruth (Patterson) Phillips(2)	1967		Jared Alquist(3)	2003
Rick Patterson(2)	1971		Christen Alquist (3)	2004
Mike Patterson(2)	197		Miles Alquist(3)	2006
Patti (Patterson) Menza(2)	1982		Joshua Alquist(3)	2007
Jim Patterson(2)	1985		Wayne Saxon(1)	1942
Melissa (Phillips) Benoit(3)	1995		Nancy (Saxon) Buchcuski(2)	1974
Robert Phillips(3)	1998		Adam Buchcuski(3)	1997
Mary Phillips(3)	2001		Brent Buchcuski(3)	2000
Donald Scholke(1)	1951		Luella Mendini(1)	1939
Michael Scholke(2)	1974		Martee (Mendini)Trepanier(2)	1974
Michael Scholke(3)	2000		Leah Trepanier(3)	2002
Matt Scholke(3)	2003		Joan (Bauparlant) Pucci(1)	1944
Bernadine (Andreini) Blomquist(1)	1959		Louis Pucci(1)	1945
Mark Blomquist(2)	1975		Cathy (Pucci) Norman(2)	1968
Paul Blomquist(2)	1978		John Pucci(2)	1970
John Blomquist(2)	1979		Debbi (Branz) Pucci(2)	1971
Jean (Blomquist) Constantini(2)	1980		Dan Pucci(2)	1973
David Blomquist(2)	1984		Matt Norman(3)	1999
Marcus Blomquist(3)			Elizabeth Norman(3)	2001
Kyle Blomquist(3)	2004		Mike Pucci(3)	2003
Jaime (Blomquist) Jahnke(3)	2006		Erica Pucci(3)	2007



Key	= Sold			
	Director Seating- Rows A-F \$225.00	Bravo Seating- Rows G-M \$200.00	Patron Seating- Rows N-U \$185.00	Balcony Seating- Rows V-Z \$175.00



INFORMATION ABOUT PURCHASING A SEAT

If you would like to purchase a seat.....

There are a number of ways to purchase an auditorium seat. A new and exciting offering is the online purchase option. Just type www.imschools.org in your browser and click on the "Take A Seat" button. You will be directed to ordering information and an online registration form and secure credit card or e-check processing through Payschools, an online payment processing service for schools. You may also choose to make a purchase in person, at the Superintendent's Office located at the Corner of Prospect & A Street in Iron Mountain, Michigan or contact Debi Horton at 906-779-2600 to make a purchase by phone. Also included on the back page of this newsletter, is a mail-in form to purchase a seat. If you would like to make a donation in any denomination, without purchasing a seat, you can also use any of the preceding methods.

If you have any questions, please call Debi Horton at 906-779-2600 and we will be happy to assist you.



*In Honor of The Alumni and Friends of
Iron Mountain Public Schools
April 1, 2008*

*You can view current available seating at
www.imschools.org; click on "Take A Seat" and
View Seating*

**Iron Mountain High School
"Take A Seat" Fundraiser Order Form**

Name: _____

Address: _____

City: _____ State: _____ Zip: _____ Phone: _____

Please choose a quantity in the section where you would like your seat assignment

Director # _____ of seats in rows **A-F** at \$225.00 each

Bravo # _____ of seats in rows **G-M** at \$200.00 each

Patron # _____ of seats in rows **N-U** at \$185.00 each

Balcony # _____ of seats in rows **V-Z** at \$175.00 each

I would like to make a donation without purchasing a seat \$ _____

Please type your name and inscription as you would like it to appear on your chair(s) – limit 24 characters per line (including spaces), up to 4 lines.

Seat #1: _____

Seat #2: _____

Seat #3: _____

Please make checks payable to:

IMHS Auditorium Fundraiser

PO Box 280

Iron Mountain, MI 49801

To purchase a seat by phone, please call Debi Horton at 906-779-2600

For Office Use

Seat: Row= Number=

THANK YOU...

Our Newsletter publication relies tremendously on the support and donations of Iron Mountain Alumni, Thanks to all who have helped out! If you would like to make a donation toward future issues, checks can be made payable to: IMHS Alumni & Friends Newsletter. Send all donations to: IMHS Alumni & Friends Newsletter, P.O. Box 280, Iron Mountain, MI 49801.

George Zaio-1948 Donald and Sharon Scholke-1951 Suzanne Bird-1957

We would like to extend a very special "Thank You" to our alumni who opted to receive our newsletter in electronic format. Not only are you helping us to save postage, but you are helping us to become "eco-friendly" too!